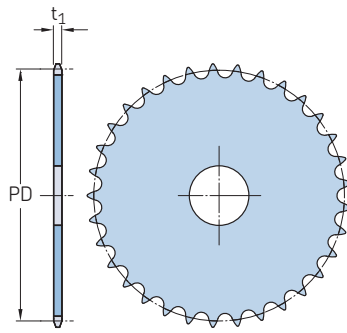
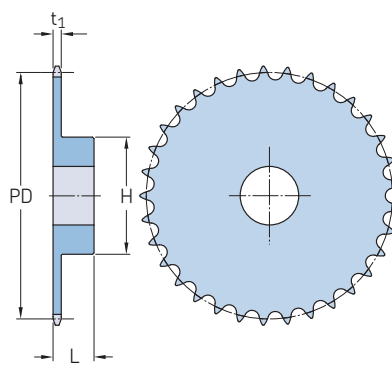


Metric sprockets, simplex, pilot bore

ISO 05B-1 · 8 mm pitch



Type A



Type B

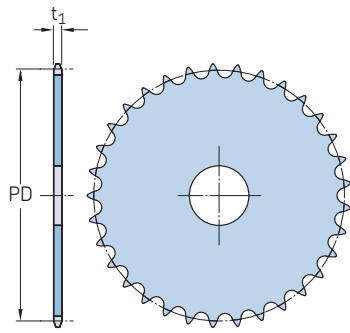
Pitch	Number of teeth	Pitch diameter PD	Type	Dimensions				Plate thickness t_1	Mass	Designation
				Bore stock	Bore	Hub				
mm	-	mm	-	mm	Min.	Max.	H	L	kg	-
8	8	20,90	A	6	-	-	-	-	0,01	PHS 05B-1A8
			B	6	6	13	12	2,80	0,02	PHS 05B-1BH8
	9	23,39	A	6	-	-	-	-	0,01	PHS 05B-1A9
			B	6	6	15	12	2,80	0,02	PHS 05B-1BH9
	10	25,89	A	8	-	-	-	-	0,01	PHS 05B-1A10
			B	8	8	17	12	2,80	0,02	PHS 05B-1BH10
	11	28,39	A	8	-	-	-	-	0,01	PHS 05B-1A11
			B	8	8	18	13	2,80	0,03	PHS 05B-1BH11
	12	30,91	A	8	-	-	-	-	0,01	PHS 05B-1A12
			B	8	8	20	13	2,80	0,03	PHS 05B-1BH12
	13	33,42	A	8	-	-	-	-	0,01	PHS 05B-1A13
			B	8	8	23	13	2,80	0,05	PHS 05B-1BH13
	14	35,95	A	8	-	-	-	-	0,02	PHS 05B-1A14
			B	8	10	25	13	2,80	0,05	PHS 05B-1BH14
	15	38,48	A	8	-	-	-	-	0,02	PHS 05B-1A15
			B	8	12	28	13	2,80	0,07	PHS 05B-1BH15
	16	41,01	A	8	-	-	-	-	0,02	PHS 05B-1A16
			B	8	14	30	14	2,80	0,08	PHS 05B-1BH16
	17	43,53	A	8	-	-	-	-	0,03	PHS 05B-1A17
			B	8	14	30	14	2,80	0,09	PHS 05B-1BH17
	18	46,07	A	8	-	-	-	-	0,03	PHS 05B-1A18
			B	8	14	30	14	2,80	0,09	PHS 05B-1BH18
	19	48,61	A	8	-	-	-	-	0,03	PHS 05B-1A19
			B	8	14	30	14	2,80	0,10	PHS 05B-1BH19
	20	51,14	A	8	-	-	-	-	0,04	PHS 05B-1A20
			B	8	14	30	14	2,80	0,10	PHS 05B-1BH20
	21	53,67	A	8	-	-	-	-	0,04	PHS 05B-1A21
			B	8	19	35	14	2,80	0,13	PHS 05B-1BH21
	22	56,21	A	8	-	-	-	-	0,05	PHS 05B-1A22
B			8	19	35	14	2,80	0,13	PHS 05B-1BH22	
23	58,75	A	8	-	-	-	-	0,05	PHS 05B-1A23	
		B	8	19	35	14	2,80	0,13	PHS 05B-1BH23	
24	61,29	A	8	-	-	-	-	0,06	PHS 05B-1A24	
		B	8	19	35	14	2,80	0,15	PHS 05B-1BH24	
25	63,83	A	8	-	-	-	-	0,06	PHS 05B-1A25	
		B	8	19	35	14	2,80	0,15	PHS 05B-1BH25	
26	66,37	A	10	-	-	-	-	0,07	PHS 05B-1A26	
		B	10	23	40	16	2,80	0,17	PHS 05B-1B26	
27	68,91	A	10	-	-	-	-	0,07	PHS 05B-1A27	
		B	10	23	40	16	2,80	0,19	PHS 05B-1B27	
28	71,45	A	10	-	-	-	-	0,08	PHS 05B-1A28	
		B	10	23	40	16	2,80	0,20	PHS 05B-1B28	
29	73,99	A	10	-	-	-	-	0,08	PHS 05B-1A29	
		B	10	23	40	16	2,80	0,21	PHS 05B-1B29	

Pitch	Number of teeth	Pitch diameter PD	Type	Dimensions				Plate thickness t_1	Mass	Designation
				Bore stock	Bore	Hub				
mm	-	mm	-	mm	Min.	Max.	H	L	kg	-
8	30	76,53	A	10	-	-	-	-	0,09	PHS 05B-1A30
			B	10	23	40	16	2,80	0,22	PHS 05B-1B30
	31	79,08	A	10	-	-	-	-	0,10	PHS 05B-1A31
			B	10	23	40	16	2,80	0,23	PHS 05B-1B31
	32	81,61	A	10	-	-	-	-	0,11	PHS 05B-1A32
			B	10	23	40	16	2,80	0,23	PHS 05B-1B32
	33	84,16	A	10	-	-	-	-	0,12	PHS 05B-1A33
			B	10	23	40	16	2,80	0,24	PHS 05B-1B33
	34	86,70	A	10	-	-	-	-	0,12	PHS 05B-1A34
			B	10	23	40	16	2,80	0,25	PHS 05B-1B34
	35	89,24	A	10	-	-	-	-	0,12	PHS 05B-1A35
			B	10	23	40	16	2,80	0,25	PHS 05B-1B35
	36	91,79	A	10	-	-	-	-	0,13	PHS 05B-1A36
			B	10	23	40	16	2,80	0,26	PHS 05B-1B36
	37	94,33	A	10	-	-	-	-	0,14	PHS 05B-1A37
			B	10	23	40	16	2,80	0,26	PHS 05B-1B37
	38	96,88	A	10	-	-	-	-	0,15	PHS 05B-1A38
			B	10	23	40	16	2,80	0,27	PHS 05B-1B38
	39	99,42	A	10	-	-	-	-	0,16	PHS 05B-1A39
			B	10	23	40	16	2,80	0,28	PHS 05B-1B39
	40	101,97	A	10	-	-	-	-	0,16	PHS 05B-1A40
			B	10	23	40	16	2,80	0,28	PHS 05B-1B40
	41	104,51	A	12	-	-	-	-	0,17	PHS 05B-1A41
			B	10	23	60	20	2,80	0,29	PHS 05B-1B41
	42	107,05	A	12	-	-	-	-	0,18	PHS 05B-1A42
			B	10	23	60	20	2,80	0,30	PHS 05B-1B42
	43	109,60	A	12	-	-	-	-	0,19	PHS 05B-1A43
			B	10	23	60	20	2,80	0,30	PHS 05B-1B43
	44	112,14	A	12	-	-	-	-	0,20	PHS 05B-1A44
			B	10	23	60	20	2,80	0,31	PHS 05B-1B44
45	114,69	A	12	-	-	-	-	0,21	PHS 05B-1A45	
		B	12	40	60	20	2,80	0,31	PHS 05B-1B45	
46	117,23	A	12	-	-	-	-	0,21	PHS 05B-1A46	
		B	12	40	60	20	2,80	0,32	PHS 05B-1B46	
47	119,77	A	12	-	-	-	-	0,32	PHS 05B-1A47	
		B	12	40	60	20	2,80	0,33	PHS 05B-1B47	
48	122,32	A	12	-	-	-	-	0,34	PHS 05B-1A48	
		B	12	40	60	20	2,80	0,33	PHS 05B-1B48	
54	137,59	A	14	-	-	-	-	0,67	PHS 05B-1A54	
		B	12	40	80	20	2,80	0,37	PHS 05B-1B54	
57	145,22	A	14	-	-	-	-	1,47	PHS 05B-1A57	
		B	14	55	80	20	2,80	0,39	PHS 05B-1B57	
60	152,85	A	14	-	-	-	-	1,53	PHS 05B-1A60	
		B	14	55	80	34	2,80	0,41	PHS 05B-1B60	

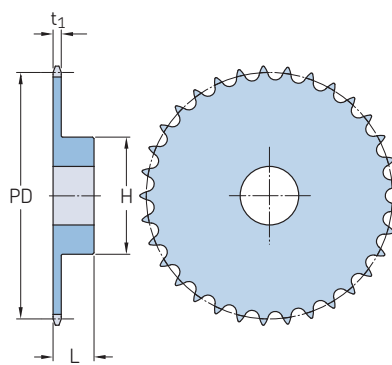
Maximum bores can accommodate standard keyways. Larger bores are available where a shallow keyway is used or no keyway is required. All Type B or C sprockets, up to and including 25 tooth, are with hardened teeth as standard. For any additional size sprockets with hardened teeth, add "H" before the number of teeth, e.g. PHS 08B-1AH8.

Metric sprockets, simplex, pilot bore

ISO 06B-1 · 9,525 mm pitch | ISO 08B-1 · 12,70 mm pitch



Type A



Type B

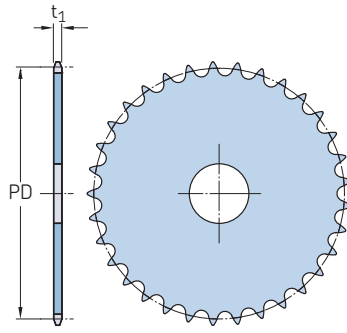
Pitch	Number of teeth	Pitch diameter	Type	Dimensions		Hub		Plate thickness	Mass	Designation
				Bore stock	Bore	H	L			
mm	-	mm	-	mm	mm	mm	mm	t ₁	kg	-
9,525	80	242,61	A	20	-	-	-	-	1,53	PHS 06B-1A80
			B	-	14	52	78	32	5,31	4,40
	84	254,74	A	20	-	-	-	-	1,60	PHS 06B-1A84
			B	-	14	52	80	32	5,31	4,72
	85	257,77	A	20	-	-	-	-	1,66	PHS 06B-1A85
			B	-	14	52	80	32	5,31	4,93
	90	272,93	A	20	-	-	-	-	1,72	PHS 06B-1A90
			B	-	14	55	80	32	5,31	5,20
	92	278,99	A	20	-	-	-	-	2,16	PHS 06B-1A92
			B	-	14	55	80	32	5,31	5,45
	95	288,08	A	20	-	-	-	-	2,60	PHS 06B-1A95
B			-	14	55	80	32	5,31	3,95	PHS 06B-1B95
96	291,11	A	20	-	-	-	-	2,20	PHS 06B-1A96	
		B	-	14	55	80	32	5,31	5,68	PHS 06B-1B96
114	345,68	A	20	-	-	-	-	3,13	PHS 06B-1A114	
		B	-	14	55	80	32	5,31	7,12	PHS 06B-1B114

Pitch	Number of teeth	Pitch diameter	Type	Dimensions		Hub		Plate thickness	Mass	Designation
				Bore stock	Bore	H	L			
mm	-	mm	-	mm	mm	mm	mm	t ₁	kg	-
12,70	22	89,24	A	12	-	-	-	-	0,30	PHS 08B-1A22
			B	-	12	40	70	28	7,37	0,92
	23	93,27	A	12	-	-	-	-	0,34	PHS 08B-1A23
			B	-	14	40	70	28	7,37	0,95
	24	97,29	A	12	-	-	-	-	0,37	PHS 08B-1A24
			B	-	14	40	70	28	7,37	0,98
	25	101,33	A	12	-	-	-	-	0,41	PHS 08B-1A25
			B	-	14	40	70	28	7,37	1,01
	26	105,36	A	16	-	-	-	-	0,44	PHS 08B-1A26
			B	-	16	46	70	30	7,37	1,09
	27	109,40	A	16	-	-	-	-	0,48	PHS 08B-1A27
B			-	16	46	70	30	7,37	1,13	PHS 08B-1B27
28	113,42	A	16	-	-	-	-	0,51	PHS 08B-1A28	
		B	-	16	46	70	30	7,37	1,17	PHS 08B-1B28
29	117,46	A	16	-	-	-	-	0,55	PHS 08B-1A29	
		B	-	16	46	80	30	7,37	1,41	PHS 08B-1B29
30	121,50	A	16	-	-	-	-	0,59	PHS 08B-1A30	
		B	-	16	46	80	30	7,37	1,46	PHS 08B-1B30
31	125,54	A	16	-	-	-	-	0,63	PHS 08B-1A31	
		B	-	16	46	90	30	7,37	1,75	PHS 08B-1B31
32	129,56	A	16	-	-	-	-	0,68	PHS 08B-1A32	
		B	-	16	46	90	30	7,37	1,79	PHS 08B-1B32
33	133,60	A	16	-	-	-	-	0,72	PHS 08B-1A33	
		B	-	16	46	90	30	7,37	1,83	PHS 08B-1B33
34	137,64	A	16	-	-	-	-	0,78	PHS 08B-1A34	
		B	-	16	46	90	30	7,37	1,87	PHS 08B-1B34
35	141,68	A	16	-	-	-	-	0,81	PHS 08B-1A35	
		B	-	16	46	90	30	7,37	1,94	PHS 08B-1B35
36	145,72	A	16	-	-	-	-	0,87	PHS 08B-1A36	
		B	-	16	50	90	35	7,37	2,21	PHS 08B-1B36
37	149,76	A	16	-	-	-	-	0,92	PHS 08B-1A37	
		B	-	16	50	90	35	7,37	2,24	PHS 08B-1B37
38	153,80	A	16	-	-	-	-	0,97	PHS 08B-1A38	
		B	-	16	50	90	35	7,37	2,33	PHS 08B-1B38
39	157,83	A	16	-	-	-	-	1,02	PHS 08B-1A39	
		B	-	16	50	90	35	7,37	2,30	PHS 08B-1B39
40	161,87	A	16	-	-	-	-	1,08	PHS 08B-1A40	
		B	-	16	50	90	35	7,37	2,44	PHS 08B-1B40
41	165,91	A	20	-	-	-	-	1,10	PHS 08B-1A41	
		B	-	16	50	90	40	7,37	2,41	PHS 08B-1B41
42	169,95	A	20	-	-	-	-	1,00	PHS 08B-1A42	
		B	-	16	60	90	40	7,37	2,38	PHS 08B-1B42
43	173,99	A	20	-	-	-	-	1,24	PHS 08B-1A43	
		B	-	16	50	90	40	7,37	2,35	PHS 08B-1B43

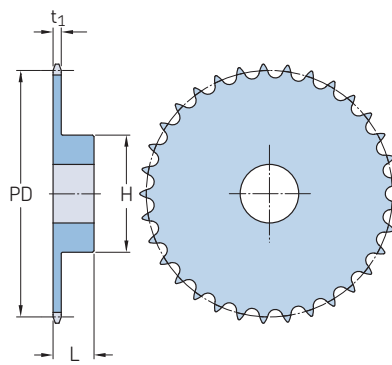
Maximum bores can accommodate standard keyways. Larger bores are available where a shallow keyway is used or no keyway is required. All Type B or C sprockets, up to and including 25 tooth, are with hardened teeth as standard. For any additional size sprockets with hardened teeth, add "H" before the number of teeth, e.g. PHS 08B-1AH8.

Metric sprockets, simplex, pilot bore

ISO 10B-1 · 15,88 mm pitch | ISO 12B-1 · 19,05 mm pitch



Type A



Type B

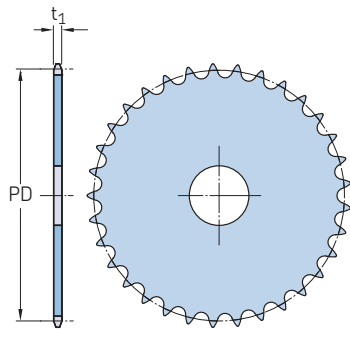
Pitch	Number of teeth	Pitch diameter	Type	Dimensions		Hub	Plate thickness	Mass	Designation
				Bore stock	Bore				
		PD		Min.	Max.	H	L	t ₁	
mm	-	mm	-	mm				kg	-
15,88	48	242,73	A	20	-	-	-	3,13	PHS 10B-1A48
			B	-	20	64	100 40	9,17	4,66
	49	247,78	A	20	-	-	-	3,28	PHS 10B-1A49
			B	-	20	64	100 40	9,17	4,82
	50	252,82	A	20	-	-	-	3,43	PHS 10B-1A50
			B	-	20	64	100 40	9,17	4,98
	51	257,87	A	20	-	-	-	3,57	PHS 10B-1A51
			B	-	20	64	100 40	9,17	5,14
	52	262,92	A	20	-	-	-	3,72	PHS 10B-1A52
			B	-	20	64	100 40	9,17	5,30
	53	267,97	A	20	-	-	-	3,87	PHS 10B-1A53
			B	-	20	64	100 40	9,17	5,46
	54	273,03	A	20	-	-	-	4,02	PHS 10B-1A54
			B	-	20	64	100 40	9,17	5,62
	55	278,08	A	20	-	-	-	4,16	PHS 10B-1A55
			B	-	20	64	100 40	9,17	5,78
	56	283,13	A	25	-	-	-	4,31	PHS 10B-1A56
			B	-	20	64	100 40	9,17	5,94
57	288,18	A	25	-	-	-	4,46	PHS 10B-1A57	
		B	-	20	55	100 40	9,17	6,00	PHS 10B-1B57
58	293,23	A	25	-	-	-	4,64	PHS 10B-1A58	
		B	-	20	64	100 43	9,17	6,44	PHS 10B-1B58
59	298,27	A	25	-	-	-	4,83	PHS 10B-1A59	
		B	-	20	64	100 43	9,17	6,88	PHS 10B-1B59
60	303,32	A	25	-	-	-	5,01	PHS 10B-1A60	
		B	-	20	64	100 43	9,17	7,32	PHS 10B-1B60
65	328,58	A	25	-	-	-	5,92	PHS 10B-1A65	
		B	-	20	64	100 43	9,17	7,48	PHS 10B-1B65
70	353,84	A	25	-	-	-	6,83	PHS 10B-1A70	
		B	-	20	64	100 43	9,17	7,76	PHS 10B-1B70
72	363,95	A	25	-	-	-	7,20	PHS 10B-1A72	
		B	-	20	64	100 43	9,17	8,20	PHS 10B-1B72
76	384,16	A	25	-	-	-	7,93	PHS 10B-1A76	
		B	-	20	60	100 43	9,17	8,68	PHS 10B-1B76
80	404,35	A	25	-	-	-	8,89	PHS 10B-1A80	
		B	-	20	70	100 43	9,17	10,20	PHS 10B-1B80
84	424,57	A	30	-	-	-	9,85	PHS 10B-1A84	
		B	-	20	70	100 50	9,17	11,72	PHS 10B-1B84
85	429,62	A	30	-	-	-	10,09	PHS 10B-1A85	
		B	-	20	70	100 50	9,17	12,12	PHS 10B-1B85
92	464,98	A	30	-	-	-	11,76	PHS 10B-1A92	
		B	-	20	70	100 50	9,17	12,91	PHS 10B-1B92
95	480,14	A	30	-	-	-	12,48	PHS 10B-1A95	
		B	-	20	60	100 50	9,17	13,24	PHS 10B-1B95

Pitch	Number of teeth	Pitch diameter	Type	Dimensions		Hub	Plate thickness	Mass	Designation	
				Bore stock	Bore					
		PD		Min.	Max.	H	L	t ₁		
mm	-	mm	-	mm				kg	-	
15,88	96	485,19	A	30	-	-	-	12,72	PHS 10B-1A96	
			B	-	20	70	100 50	9,17	14,00	PHS 10B-1B96
	112	566,03	A	30	-	-	-	16,55	PHS 10B-1A112	
			B	-	20	70	100 50	9,17	15,55	PHS 10B-1B112
	114	576,13	A	30	-	-	-	17,03	PHS 10B-1A114	
			B	-	20	70	100 50	9,17	16,25	PHS 10B-1B114
	120	606,45	A	30	-	-	-	18,50	PHS 10B-1A120	
			B	-	20	70	100 50	9,17	18,25	PHS 10B-1B120
	19,05	8	49,78	A	12	-	-	-	0,13	PHS 12B-1A8
				B	-	12	16	31 30	11,10	0,22
		9	55,70	A	12	-	-	-	0,16	PHS 12B-1A9
				B	-	12	20	37 30	11,10	0,31
		10	61,64	A	12	-	-	-	0,21	PHS 12B-1A10
				B	-	12	23	42 30	11,10	0,39
		11	67,61	A	14	-	-	-	0,25	PHS 12B-1A11
				B	-	14	28	46 35	11,10	0,54
		12	73,61	A	14	-	-	-	0,30	PHS 12B-1A12
				B	-	14	32	52 35	11,10	0,68
13		79,59	A	14	-	-	-	0,37	PHS 12B-1A13	
			B	-	14	36	58 35	11,10	0,84	PHS 12B-1B13
14		85,61	A	14	-	-	-	0,43	PHS 12B-1A14	
			B	-	14	40	64 35	11,10	1,01	PHS 12B-1B14
15		91,63	A	14	-	-	-	0,50	PHS 12B-1A15	
			B	-	14	44	70 35	11,10	1,19	PHS 12B-1B15
16		97,65	A	14	-	-	-	0,56	PHS 12B-1A16	
			B	-	16	48	75 35	11,10	1,36	PHS 12B-1B16
17	103,67	A	14	-	-	-	0,65	PHS 12B-1A17		
		B	-	16	55	80 35	11,10	1,56	PHS 12B-1B17	
18	109,71	A	14	-	-	-	0,73	PHS 12B-1A18		
		B	-	16	55	80 35	11,10	1,73	PHS 12B-1B18	
19	115,75	A	14	-	-	-	0,82	PHS 12B-1A19		
		B	-	16	55	80 35	11,10	1,73	PHS 12B-1B19	
20	121,78	A	14	-	-	-	0,90	PHS 12B-1A20		
		B	-	16	55	80 35	11,10	1,83	PHS 12B-1B20	
21	127,82	A	16	-	-	-	0,99	PHS 12B-1A21		
		B	-	20	55	90 40	11,10	2,37	PHS 12B-1B21	
22	133,86	A	16	-	-	-	1,08	PHS 12B-1A22		
		B	-	20	55	90 40	11,10	2,48	PHS 12B-1B22	
23	139,90	A	16	-	-	-	1,21	PHS 12B-1A23		
		B	-	20	55	90 40	11,10	2,58	PHS 12B-1B23	
24	145,94	A	16	-	-	-	1,33	PHS 12B-1A24		
		B	-	20	55	90 40	11,10	2,70	PHS 12B-1B24	
25	152,00	A	16	-	-	-	1,43	PHS 12B-1A25		
		B	-	20	55	90 40	11,10	2,81	PHS 12B-1B25	

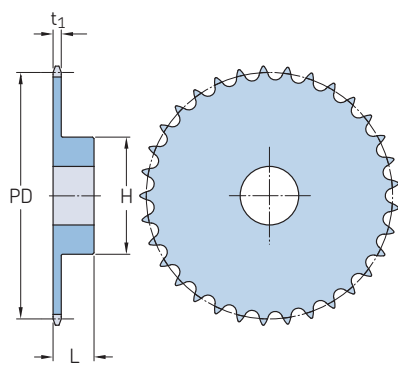
Maximum bores can accommodate standard keyways. Larger bores are available where a shallow keyway is used or no keyway is required. All Type B or C sprockets, up to and including 25 tooth, are with hardened teeth as standard. For any additional size sprockets with hardened teeth, add "H" before the number of teeth, e.g. PHS 08B-1AH8.

Metric sprockets, simplex, pilot bore

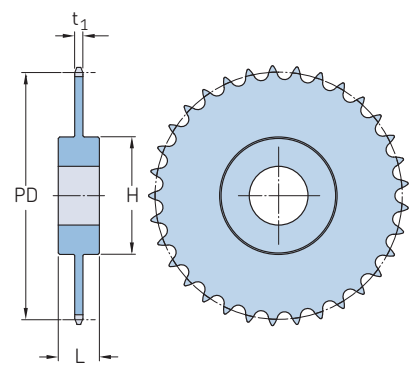
ISO 16B-1 · 25,40 mm pitch | ISO 20B-1 · 31,75 mm pitch



Type A



Type B



Type C

Pitch	Number of teeth	Pitch diameter PD	Type	Dimensions		Hub H L	Plate thickness t ₁	Mass	Designation
				Bore stock	Bore				
mm	-	mm	-	mm	Min. Max.	-	-	kg	-
25,40	28	226,85	A	20	-	-	-	4,79	PHS 16B-1A28
			B	-	20	76	120 50	16,18	7,72
	29	234,92	A	20	-	-	-	5,14	PHS 16B-1A29
			B	-	20	76	120 50	16,18	8,11
	30	243,00	A	20	-	-	-	5,53	PHS 16B-1A30
			B	-	20	76	120 50	16,18	8,47
	31	251,08	A	25	-	-	-	5,89	PHS 16B-1A31
			B	-	25	76	120 50	16,18	8,78
	32	259,13	A	25	-	-	-	6,33	PHS 16B-1A32
			B	-	25	76	120 50	16,18	9,19
	33	267,21	A	25	-	-	-	6,70	PHS 16B-1A33
			B	-	25	76	120 50	16,18	9,63
	34	275,28	A	25	-	-	-	7,00	PHS 16B-1A34
			B	-	25	76	120 50	16,18	10,02
	35	283,36	A	25	-	-	-	7,60	PHS 16B-1A35
			B	-	25	76	120 50	16,18	10,50
	36	291,44	A	25	-	-	-	8,08	PHS 16B-1A36
			B	-	25	76	120 50	16,18	10,90
	37	299,51	A	25	-	-	-	8,50	PHS 16B-1A37
			B	-	25	76	120 50	16,18	11,30
38	307,59	A	25	-	-	-	8,98	PHS 16B-1A38	
		B	-	25	76	120 50	16,18	11,86	PHS 16B-1B38
39	315,67	A	25	-	-	-	9,34	PHS 16B-1A39	
		B	-	25	76	120 50	16,18	12,32	PHS 16B-1B39
40	323,75	A	25	-	-	-	9,94	PHS 16B-1A40	
		B	-	25	76	125 50	16,18	12,86	PHS 16B-1B40
41	331,82	A	25	-	-	-	10,50	PHS 16B-1A41	
		B	-	25	80	125 68	16,18	13,40	PHS 16B-1B41
42	339,90	A	25	-	-	-	11,02	PHS 16B-1A42	
		B	-	25	80	125 68	16,18	13,94	PHS 16B-1B42
43	347,98	A	25	-	-	-	11,64	PHS 16B-1A43	
		B	-	25	80	125 68	16,18	14,48	PHS 16B-1B43
44	356,06	A	25	-	-	-	12,08	PHS 16B-1A44	
		B	-	25	80	125 68	16,18	15,02	PHS 16B-1B44
45	364,13	A	25	-	-	-	12,60	PHS 16B-1A45	
		B	-	25	65	125 68	16,18	13,00	PHS 16B-1B45
46	372,21	A	25	-	-	-	13,20	PHS 16B-1A46	
		B	-	25	80	125 68	16,18	16,10	PHS 16B-1B46
47	380,29	A	25	-	-	-	13,94	PHS 16B-1A47	
		B	-	25	80	125 68	16,18	16,64	PHS 16B-1B47
48	388,36	A	25	-	-	-	14,54	PHS 16B-1A48	
		B	-	25	80	125 68	16,18	17,18	PHS 16B-1B48
50	404,52	A	25	-	-	-	15,86	PHS 16B-1A50	
		B	-	25	80	125 68	16,18	18,26	PHS 16B-1B50

Pitch	Number of teeth	Pitch diameter PD	Type	Dimensions		Hub H L	Plate thickness t ₁	Mass	Designation
				Bore stock	Bore				
mm	-	mm	-	mm	Min. Max.	-	-	kg	-
25,40	54	436,85	A	30	-	-	-	18,51	PHS 16B-1A54
			B	-	25	85	125 68	16,18	20,42
	57	461,07	A	30	-	-	-	20,50	PHS 16B-1A57
			B	-	25	65	125 68	16,18	15,50
	60	485,32	A	30	-	-	-	22,95	PHS 16B-1A60
			B	-	25	85	133 68	16,18	23,66
	65	525,73	A	30	-	-	-	27,03	PHS 16B-1A65
			B	-	25	85	140 68	16,18	26,36
	70	566,14	A	30	-	-	-	31,11	PHS 16B-1A70
			C	-	25	108	140 68	16,18	29,06
	72	582,32	A	30	-	-	-	32,74	PHS 16B-1A72
			C	-	25	108	140 68	16,18	30,14
	76	614,65	A	30	-	-	-	36,00	PHS 16B-1A76
			C	-	25	75	140 68	16,18	28,50
	80	646,96	A	30	-	-	-	40,42	PHS 16B-1A80
			C	-	25	108	140 68	16,18	34,46
	84	679,30	A	30	-	-	-	44,84	PHS 16B-1A84
			C	-	25	108	140 78	16,18	36,62
	90	727,81	A	30	-	-	-	51,47	PHS 16B-1A90
			C	-	25	108	140 78	16,18	39,86
95	768,22	A	30	-	-	-	57,00	PHS 16B-1A95	
		C	-	25	85	140 78	16,18	42,56	PHS 16B-1C95
96	766,31	A	30	-	-	-	58,11	PHS 16B-1A96	
		C	-	25	108	140 78	16,18	43,10	PHS 16B-1C96
114	921,81	A	30	-	-	-	78,00	PHS 16B-1A114	
		C	-	25	108	140 78	16,18	52,82	PHS 16B-1C114
31,75	8	82,97	A	16	-	-	-	0,63	PHS 20B-1A8
			B	-	20	57	53 40	18,59	1,04
9	92,83	A	16	-	-	-	0,95	PHS 20B-1A9	
		B	-	20	57	63 40	18,59	1,45	PHS 20B-1B9
10	102,75	A	16	-	-	-	1,27	PHS 20B-1A10	
		B	-	20	60	70 40	18,59	1,86	PHS 20B-1B10
11	112,70	A	16	-	-	-	1,59	PHS 20B-1A11	
		B	-	20	70	77 45	18,59	2,40	PHS 20B-1B11
12	122,67	A	20	-	-	-	1,91	PHS 20B-1A12	
		B	-	20	76	88 45	18,59	2,95	PHS 20B-1B12
13	132,67	A	20	-	-	-	2,18	PHS 20B-1A13	
		B	-	20	76	98 45	18,59	3,00	PHS 20B-1B13
14	142,68	A	20	-	-	-	2,49	PHS 20B-1A14	
		B	-	20	76	108 45	18,59	3,40	PHS 20B-1B14
15	152,71	A	20	-	-	-	2,68	PHS 20B-1A15	
		B	-	20	76	118 50	18,59	4,31	PHS 20B-1B15
16	162,75	A	20	-	-	-	3,08	PHS 20B-1A16	
		B	-	20	76	120 50	18,59	4,63	PHS 20B-1B16

Maximum bores can accommodate standard keyways. Larger bores are available where a shallow keyway is used or no keyway is required. All Type B or C sprockets, up to and including 25 tooth, are with hardened teeth as standard. For any additional size sprockets with hardened teeth, add "H" before the number of teeth, e.g. PHS 08B-1AH8.

Metric sprockets, simplex, pilot bore

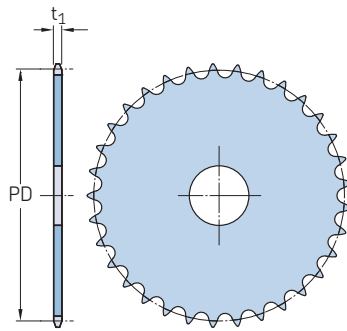
ISO 20B-1 · 31,75 mm pitch | ISO 24B-1 · 38,10 mm pitch

Pitch	Number of teeth	Pitch diameter	Type	Dimensions		Hub		Plate thickness t ₁	Mass	Designation	Pitch	Number of teeth	Pitch diameter	Type	Dimensions		Hub		Plate thickness t ₁	Mass	Designation				
				Bore stock	Bore	H	L								Bore stock	Bore	H	L							
				Min.	Max.	Min.	Max.								Min.	Max.	Min.	Max.							
mm	-	mm	-	mm	-	mm	-	mm	-	mm	-	mm	-	mm	-	mm	-	mm	-	mm	-	kg	-	kg	-
31,75	17	172,79	A B	20	- 25	- 76	- 120	- 50	3,54 4,99	PHS 20B-1A17 PHS 20B-1BH17	31,75	47	475,35	A B	30	- 25	- 84	- 150	- 70	22,79 28,12	PHS 20B-1A47 PHS 20B-1B47				
	18	182,84	A B	20	- 25	- 76	- 120	- 50	3,81 5,44	PHS 20B-1A18 PHS 20B-1BH18		48	485,45	A B	30	- 25	- 102	- 150	- 70	23,55 29,94	PHS 20B-1A48 PHS 20B-1B48				
	19	192,90	A B	20	- 25	- 76	- 120	- 50	4,31 5,90	PHS 20B-1A19 PHS 20B-1BH19		49	495,55	A B	30	- 25	- 102	- 150	- 70	24,30 31,76	PHS 20B-1A49 PHS 20B-1B49				
	20	202,96	A B	20	- 25	- 76	- 120	- 50	4,58 6,35	PHS 20B-1A20 PHS 20B-1BH20		50	505,65	A B	30	- 25	- 102	- 150	- 70	25,06 33,57	PHS 20B-1A50 PHS 20B-1B50				
	21	213,03	A B	25	- 25	- 76	- 140	- 55	5,17 7,03	PHS 20B-1A21 PHS 20B-1BH21		51	515,75	A B	30	- 25	- 102	- 150	- 80	24,43 35,39	PHS 20B-1A51 PHS 20B-1B51				
	22	223,10	A B	25	- 25	- 76	- 140	- 55	5,72 7,71	PHS 20B-1A22 PHS 20B-1BH22		52	525,85	A B	30	- 25	- 102	- 150	- 80	25,85 37,21	PHS 20B-1A52 PHS 20B-1B52				
	23	233,17	A B	25	- 25	- 84	- 140	- 55	5,99 8,16	PHS 20B-1A23 PHS 20B-1BH23		53	535,95	A B	30	- 25	- 102	- 150	- 80	27,27 39,02	PHS 20B-1A53 PHS 20B-1B53				
	24	243,25	A B	25	- 25	- 84	- 140	- 55	6,62 8,62	PHS 20B-1A24 PHS 20B-1BH24		54	546,05	A C	30	- 25	- 102	- 150	- 80	25,70 32,90	PHS 20B-1A54 PHS 20B-1C54				
	25	253,32	A B	25	- 25	- 84	- 140	- 55	6,94 9,07	PHS 20B-1A25 PHS 20B-1BH25		55	556,15	A C	30	- 25	- 102	- 150	- 80	30,12 34,77	PHS 20B-1A55 PHS 20B-1C55				
	26	263,41	A B	25	- 25	- 84	- 150	- 55	7,62 9,53	PHS 20B-1A26 PHS 20B-1B26		56	566,25	A C	30	- 25	- 102	- 150	- 80	31,34 36,63	PHS 20B-1A56 PHS 20B-1C56				
	27	273,49	A B	25	- 25	- 84	- 150	- 55	8,35 10,43	PHS 20B-1A27 PHS 20B-1B27		57	576,35	A C	30	- 25	- 102	- 150	- 80	32,96 38,50	PHS 20B-1A57 PHS 20B-1C57				
	28	283,57	A B	25	- 25	- 84	- 150	- 55	8,85 11,34	PHS 20B-1A28 PHS 20B-1B28		58	586,45	A C	30	- 25	- 102	- 150	- 80	35,80 40,37	PHS 20B-1A58 PHS 20B-1C58				
	29	293,66	A B	25	- 25	- 84	- 150	- 55	9,43 11,76	PHS 20B-1A29 PHS 20B-1B29		59	596,56	A C	30	- 25	- 102	- 150	- 80	37,22 42,24	PHS 20B-1A59 PHS 20B-1C59				
	30	303,75	A B	25	- 25	- 84	- 150	- 55	9,98 12,02	PHS 20B-1A30 PHS 20B-1B30		60	606,66	A C	30	- 25	- 102	- 150	- 80	38,64 44,10	PHS 20B-1A60 PHS 20B-1C60				
	31	313,83	A B	25	- 25	- 84	- 150	- 55	10,73 12,77	PHS 20B-1A31 PHS 20B-1B31		70	707,68	A C	30	- 25	- 133	- 150	- 80	52,85 65,36	PHS 20B-1A70 PHS 20B-1C70				
	32	323,92	A B	25	- 25	- 84	- 150	- 55	11,49 13,52	PHS 20B-1A32 PHS 20B-1B32		72	727,89	A C	30	- 25	- 133	- 150	- 80	55,70 67,23	PHS 20B-1A72 PHS 20B-1C72				
	33	334,01	A B	25	- 25	- 84	- 150	- 55	12,24 14,59	PHS 20B-1A33 PHS 20B-1B33		76	768,30	A C	30	- 25	- 133	- 150	- 80	61,38 70,98	PHS 20B-1A76 PHS 20B-1C76				
	34	344,10	A B	25	- 25	- 84	- 150	- 55	13,00 15,66	PHS 20B-1A34 PHS 20B-1B34		80	808,71	A C	30	- 25	- 133	- 150	- 80	67,06 74,70	PHS 20B-1A80 PHS 20B-1C80				
	35	354,20	A B	25	- 25	- 84	- 150	- 55	13,75 16,74	PHS 20B-1A35 PHS 20B-1B35		84	849,13	A C	30	- 25	- 133	- 150	- 90	72,75 78,43	PHS 20B-1A84 PHS 20B-1C84				
	36	364,29	A B	25	- 25	- 84	- 150	- 55	14,50 17,51	PHS 20B-1A36 PHS 20B-1B36		90	909,76	A C	30	- 25	- 133	- 150	- 90	81,27 84,03	PHS 20B-1A90 PHS 20B-1C90				
	37	374,38	A B	25	- 25	- 84	- 150	- 55	15,25 18,17	PHS 20B-1A37 PHS 20B-1B37		95	960,28	A C	30	- 25	- 133	- 150	- 90	102,42 117,18	PHS 20B-1A95 PHS 20B-1C95				
	38	384,48	A B	25	- 25	- 84	- 150	- 55	16,01 18,82	PHS 20B-1A38 PHS 20B-1B38		96	970,38	A C	30	- 25	- 133	- 150	- 90	103,84 117,56	PHS 20B-1A96 PHS 20B-1C96				
	39	394,57	A B	25	- 25	- 84	- 150	- 55	16,76 19,78	PHS 20B-1A39 PHS 20B-1B39		114	1 152,27	A C	30	- 25	- 133	- 150	- 90	130,84 124,40	PHS 20B-1A114 PHS 20B-1C114				
	40	404,67	A B	25	- 25	- 84	- 150	- 55	17,52 21,27	PHS 20B-1A40 PHS 20B-1B40		38,10	9	111,40	A B	20	- 20	- 45	- 70	- 45	1,69 2,02	PHS 24B-1A9 PHS 24B-1BH9			
	41	414,77	A B	30	- 25	- 84	- 150	- 70	18,27 22,07	PHS 20B-1A41 PHS 20B-1B41			10	123,29	A B	20	- 20	- 52	- 80	- 45	1,88 2,61	PHS 24B-1A10 PHS 24B-1BH10			
	42	424,88	A B	30	- 25	- 84	- 150	- 70	19,03 22,86	PHS 20B-1A42 PHS 20B-1B42			11	135,23	A B	20	- 25	- 60	- 90	- 50	2,06 3,77	PHS 24B-1A11 PHS 24B-1BH11			
	43	434,96	A B	30	- 25	- 84	- 150	- 70	19,78 23,40	PHS 20B-1A43 PHS 20B-1B43			12	147,21	A B	20	- 25	- 67	- 102	- 50	2,68 4,77	PHS 24B-1A12 PHS 24B-1BH12			
	44	445,06	A B	30	- 25	- 84	- 150	- 70	20,53 23,95	PHS 20B-1A44 PHS 20B-1B44			13	159,20	A B	20	- 25	- 76	- 114	- 50	3,06 5,91	PHS 24B-1A13 PHS 24B-1BH13			
	45	455,15	A B	30	- 25	- 84	- 150	- 70	21,29 24,49	PHS 20B-1A45 PHS 20B-1B45			14	171,22	A B	20	- 25	- 86	- 128	- 50	3,72 6,68	PHS 24B-1A14 PHS 24B-1BH14			
	46	465,25	A B	30	- 25	- 84	- 150	- 70	22,04 26,31	PHS 20B-1A46 PHS 20B-1B46			15	183,25	A B	20	- 25	- 92	- 132	- 50	4,31 7,49	PHS 24B-1A15 PHS 24B-1BH15			

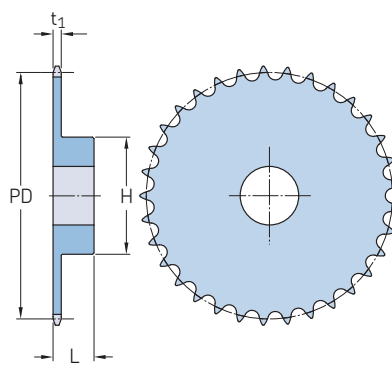
Maximum bores can accommodate standard keyways. Larger bores are available where a shallow keyway is used or no keyway is required. All Type B or C sprockets, up to and including 25 tooth, are with hardened teeth as standard. For any additional size sprockets with hardened teeth, add "H" before the number of teeth, e.g. PHS 08B-1AH8.

Metric sprockets, simplex, pilot bore

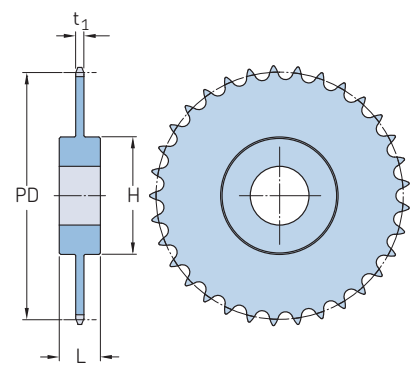
ISO 24B-1 · 38,10 mm pitch | ISO 28B-1 · 44,45 mm pitch



Type A



Type B



Type C

Pitch	Number of teeth	Pitch diameter	Type	Dimensions				Mass	Designation		
				Bore stock	Bore	Hub				Plate thickness	
		PD		Min.	Max.	H	L	t ₁			
mm	-	mm	-	mm				kg	-		
38,10	16	195,29	A	25	-	-	-	-	4,86	PHS 24B-1A16 PHS 24B-1BH16	
			B	-	25	92	136	55	24,13		9,08
	17	207,35	A	25	-	-	-	-	5,44	PHS 24B-1A17 PHS 24B-1BH17	
			B	-	25	92	136	55	24,13		9,76
	18	219,41	219,41	A	25	-	-	-	-	6,13	PHS 24B-1A18 PHS 24B-1BH18
				B	-	25	92	136	55	24,13	
	19	231,48	231,48	A	25	-	-	-	-	7,03	PHS 24B-1A19 PHS 24B-1BH19
				B	-	25	92	136	55	24,13	
	20	243,55	243,55	A	25	-	-	-	-	7,94	PHS 24B-1A20 PHS 24B-1BH20
				B	-	25	92	136	55	24,13	
	21	255,63	255,63	A	25	-	-	-	-	8,62	PHS 24B-1A21 PHS 24B-1BH21
				B	-	25	92	150	60	24,13	
	22	267,72	267,72	A	25	-	-	-	-	9,76	PHS 24B-1A22 PHS 24B-1BH22
				B	-	25	92	150	60	24,13	
	23	179,80	179,80	A	25	-	-	-	-	10,43	PHS 24B-1A23 PHS 24B-1BH23
				B	-	25	92	150	60	24,13	
	24	291,90	291,90	A	25	-	-	-	-	11,35	PHS 24B-1A24 PHS 24B-1BH24
				B	-	25	92	150	60	24,13	
	25	303,99	303,99	A	25	-	-	-	-	12,47	PHS 24B-1A25 PHS 24B-1BH25
				B	-	25	92	150	60	24,13	
	26	316,09	316,09	A	30	-	-	-	-	13,39	PHS 24B-1A26 PHS 24B-1B26
				B	-	30	102	150	65	24,13	
	27	328,19	328,19	A	30	-	-	-	-	14,53	PHS 24B-1A27 PHS 24B-1B27
				B	-	30	102	150	65	24,13	
	28	340,29	340,29	A	30	-	-	-	-	15,89	PHS 24B-1A28 PHS 24B-1B28
				B	-	30	102	150	65	24,13	
	29	352,39	352,39	A	30	-	-	-	-	17,02	PHS 24B-1A29 PHS 24B-1B29
				B	-	30	102	150	65	24,13	
	30	364,49	364,49	A	30	-	-	-	-	18,39	PHS 24B-1A30 PHS 24B-1B30
				B	-	30	102	150	65	24,13	
	31	376,60	376,60	A	30	-	-	-	-	20,02	PHS 24B-1A31 PHS 24B-1B31
				B	-	30	102	150	65	24,13	
	32	388,71	388,71	A	30	-	-	-	-	21,66	PHS 24B-1A32 PHS 24B-1B32
				B	-	30	102	150	65	24,13	
	33	400,82	400,82	A	30	-	-	-	-	23,29	PHS 24B-1A33 PHS 24B-1B33
				B	-	30	102	150	65	24,13	
	34	412,93	412,93	A	30	-	-	-	-	24,93	PHS 24B-1A34 PHS 24B-1B34
				B	-	30	102	150	65	24,13	
35	425,04	425,04	A	30	-	-	-	-	26,56	PHS 24B-1A35 PHS 24B-1B35	
			B	-	30	102	150	65	24,13		33,93
36	437,15	437,15	A	30	-	-	-	-	28,19	PHS 24B-1A36 PHS 24B-1B36	
			B	-	30	102	150	65	24,13		35,86
38	461,37	461,37	A	30	-	-	-	-	31,46	PHS 24B-1A38 PHS 24B-1B38	
			B	-	30	102	150	65	24,13		39,73

Pitch	Number of teeth	Pitch diameter	Type	Dimensions				Mass	Designation			
				Bore stock	Bore	Hub				Plate thickness		
		PD		Min.	Max.	H	L	t ₁				
mm	-	mm	-	mm				kg	-			
38,10	40	485,60	A	30	-	-	-	-	36,23	PHS 24B-1A40 PHS 24B-1B40		
			B	-	30	102	150	65	24,13		42,52	
	42	509,83	509,83	A	30	-	-	-	-	40,99	PHS 24B-1A42 PHS 24B-1C42	
				C	-	30	102	160	90	24,13		45,31
	45	546,19	546,19	A	30	-	-	-	-	48,14	PHS 24B-1A45 PHS 24B-1C45	
				C	-	30	102	160	90	24,13		50,71
	48	482,54	482,54	A	30	-	-	-	-	55,29	PHS 24B-1A48 PHS 24B-1C48	
				C	-	30	102	160	90	24,13		57,43
	50	606,78	606,78	A	30	-	-	-	-	60,05	PHS 24B-1A50 PHS 24B-1C50	
				C	-	30	102	160	90	24,13		61,57
	54	655,26	655,26	A	30	-	-	-	-	69,58	PHS 24B-1A54 PHS 24B-1C54	
				C	-	30	102	160	100	24,13		69,84
	57	691,62	691,62	A	30	-	-	-	-	76,73	PHS 24B-1A57 PHS 24B-1C57	
				C	-	30	133	160	100	24,13		76,05
	60	727,99	727,99	A	30	-	-	-	-	85,19	PHS 24B-1A60 PHS 24B-1C60	
				C	-	30	133	160	100	24,13		80,05
	68	824,97	824,97	A	40	-	-	-	-	107,74	PHS 24B-1A68 PHS 24B-1C68	
				C	-	30	133	160	100	24,13		93,39
	72	873,43	873,43	A	40	-	-	-	-	119,02	PHS 24B-1A72 PHS 24B-1C72	
				C	-	30	133	160	100	24,13		111,51
	76	921,96	921,96	A	40	-	-	-	-	130,30	PHS 24B-1A76 PHS 24B-1C76	
				C	-	30	133	160	100	24,13		129,62
	95	921,96	921,96	A	40	-	-	-	-	183,88	PHS 24B-1A95 PHS 24B-1C95	
				C	-	30	133	160	100	24,13		215,67
	96	921,96	921,96	A	40	-	-	-	-	186,70	PHS 24B-1A96 PHS 24B-1C96	
				C	-	30	133	160	100	24,13		220,20
	114	921,96	921,96	A	40	-	-	-	-	237,46	PHS 24B-1A114 PHS 24B-1C114	
				C	-	30	133	160	100	24,13		301,71
	44,45	11	157,77	A	20	-	-	-	-	3,18	PHS 28B-1A11 PHS 28B-1BH11	
				B	-	25	73	112	70	29,44		5,27
		12	171,74	171,74	A	20	-	-	-	-	3,95	PHS 28B-1A12 PHS 28B-1BH12
					B	-	25	84	125	70	29,44	
		13	185,74	185,74	A	20	-	-	-	-	4,31	PHS 28B-1A13 PHS 28B-1BH13
					B	-	25	93	125	70	29,44	
		14	199,76	199,76	A	20	-	-	-	-	4,77	PHS 28B-1A14 PHS 28B-1BH14
					B	-	25	93	125	70	29,44	
		15	213,79	213,79	A	20	-	-	-	-	5,45	PHS 28B-1A15 PHS 28B-1BH15
					B	-	25	108	125	70	29,44	
16		227,84	227,84	A	30	-	-	-	-	6,81	PHS 28B-1A16 PHS 28B-1BH16	
				B	-	30	108	160	75	29,44		12,76
17		241,91	241,91	A	30	-	-	-	-	7,71	PHS 28B-1A17 PHS 28B-1BH17	
				B	-	30	108	160	75	29,44		13,65
18		255,98	255,98	A	30	-	-	-	-	8,63	PHS 28B-1A18 PHS 28B-1BH18	
				B	-	30	108	160	75	29,44		13,65

Maximum bores can accommodate standard keyways. Larger bores are available where a shallow keyway is used or no keyway is required. All Type B or C sprockets, up to and including 25 tooth, are with hardened teeth as standard. For any additional size sprockets with hardened teeth, add "H" before the number of teeth, e.g. PHS 08B-1AH8.

Metric sprockets, simplex, pilot bore

ISO 28B-1 · 44,45 mm pitch | ISO 32B-1 · 50,80 mm pitch

Pitch	Number of teeth	Pitch diameter	Type	Dimensions				Mass	Designation	Pitch	Number of teeth	Pitch diameter	Type	Dimensions				Mass	Designation							
				Bore stock	Bore	Hub								Plate thickness t ₁	Bore stock	Bore	Hub			Plate thickness t ₁						
						Min.	Max.										H				L	Min.	Max.	H	L	
mm	-	mm	-	mm	mm	mm	mm	mm	mm	mm	mm	-	mm	mm	mm	mm	mm	kg	-							
44,45	19	270,06	A B	30	-	-	-	-	9,53 15,01	PHS 28B-1A19 PHS 28B-1BH19	50,80	17	276,46	A B	30	-	-	-	-	12,35 20,23	PHS 32B-1A17 PHS 32B-1BH17					
	20	284,14	A B	30	-	30	108	160 75	29,44	10,44 16,84		PHS 28B-1A20 PHS 28B-1BH20	18	292,55	A B	30	-	30	103	160 90	29,44	13,96 21,88	PHS 32B-1A18 PHS 32B-1BH18			
	21	298,24	A B	30	-	30	108	160 75	29,44	11,79 18,19		PHS 28B-1A21 PHS 28B-1BH21	19	308,64	A B	30	-	30	103	160 90	29,44	15,57 23,53	PHS 32B-1A19 PHS 32B-1BH19			
	22	312,34	A B	30	-	30	108	160 75	29,44	13,17 19,11		PHS 28B-1A22 PHS 28B-1BH22	20	324,74	A B	30	-	30	133	180 90	29,44	17,36 25,37	PHS 32B-1A20 PHS 32B-1BH20			
	23	326,44	A B	30	-	30	108	160 75	29,44	14,06 20,46		PHS 28B-1A23 PHS 28B-1BH23	21	340,84	A B	30	-	30	133	180 90	29,44	19,15 27,20	PHS 32B-1A21 PHS 32B-1BH21			
	24	340,54	A B	30	-	30	108	160 75	29,44	15,44 21,84		PHS 28B-1A24 PHS 28B-1BH24	22	356,96	A B	30	-	30	133	180 90	29,44	21,13 29,23	PHS 32B-1A22 PHS 32B-1BH22			
	25	354,65	A B	30	-	30	108	160 75	29,44	16,78 22,73		PHS 28B-1A25 PHS 28B-1BH25	23	373,07	A B	30	-	30	133	180 90	29,44	23,10 31,25	PHS 32B-1A23 PHS 32B-1BH23			
	26	368,77	A B	30	-	30	108	160 75	29,44	18,61 26,83		PHS 28B-1A26 PHS 28B-1BH26	24	389,19	A B	30	-	30	133	180 90	29,44	25,26 35,33	PHS 32B-1A24 PHS 32B-1BH24			
	27	382,88	A B	30	-	30	108	160 75	29,44	20,43 27,74		PHS 28B-1A27 PHS 28B-1BH27	25	405,32	A B	30	-	30	133	180 90	29,44	27,41 36,80	PHS 32B-1A25 PHS 32B-1BH25			
	28	397,00	A B	30	-	30	108	160 75	29,44	20,88 30,29		PHS 28B-1A28 PHS 28B-1BH28	26	421,45	A B	30	-	30	133	180 90	29,44	30,25 39,41	PHS 32B-1A26 PHS 32B-1BH26			
	30	425,24	A B	30	-	30	108	160 75	29,44	25,17 32,73		PHS 28B-1A30 PHS 28B-1BH30	27	437,58	A B	30	-	30	133	180 90	29,44	33,10 42,02	PHS 32B-1A27 PHS 32B-1BH27			
	32	453,49	A B	30	-	30	134	180 75	29,44	31,02 34,84		PHS 28B-1A32 PHS 28B-1BH32	28	453,72	A B	30	-	30	133	180 90	29,44	35,94 44,62	PHS 32B-1A28 PHS 32B-1BH28			
	38	538,27	A B	30	-	30	134	180 75	29,44	48,58 51,25		PHS 28B-1A38 PHS 28B-1BH38	30	485,99	A B	30	-	30	133	180 90	29,44	41,63 49,84	PHS 32B-1A30 PHS 32B-1BH30			
	40	566,54	A C	30	-	30	134	180 75	29,44	52,80 52,84		PHS 28B-1A40 PHS 28B-1C40	32	518,28	A B	30	-	30	139	180 90	29,44	47,31 58,02	PHS 32B-1A32 PHS 32B-1BH32			
	42	594,81	A C	30	-	30	134	180 90	29,44	57,02 54,43		PHS 28B-1A42 PHS 28B-1C42	38	615,17	A B	30	-	30	139	180 90	29,44	64,37 86,78	PHS 32B-1A38 PHS 32B-1BH38			
	45	637,22	A C	30	-	30	134	180 90	29,44	63,35 60,55		PHS 28B-1A45 PHS 28B-1C45	40	647,47	A C	40	-	30	139	180 90	29,44	72,98 91,35	PHS 32B-1A40 PHS 32B-1C40			
	48	679,63	A C	30	-	30	134	180 90	29,44	69,68 62,72		PHS 28B-1A48 PHS 28B-1C48	42	679,78	A C	40	-	30	139	180 90	29,44	81,60 95,91	PHS 32B-1A42 PHS 32B-1C42			
	54	764,47	A C	30	-	30	134	180 100	29,44	82,34 74,60		PHS 28B-1A54 PHS 28B-1C54	45	728,25	A C	40	-	30	139	180 100	29,44	94,52 116,97	PHS 32B-1A45 PHS 32B-1C45			
	57	806,89	A C	40	-	30	134	180 100	29,44	88,67 81,77		PHS 28B-1A57 PHS 28B-1C57	48	790,72	A C	40	-	30	139	180 100	29,44	107,44 130,43	PHS 32B-1A48 PHS 32B-1C48			
	60	849,32	A C	40	-	30	134	180 100	29,44	97,97 88,94		PHS 28B-1A60 PHS 28B-1C60	54	873,68	A C	40	-	30	139	180 100	29,44	133,29 157,34	PHS 32B-1A54 PHS 32B-1C54			
	68	962,47	A C	40	-	30	137	180 100	29,44	122,79 108,05		PHS 28B-1A68 PHS 28B-1C68	57	922,16	A C	40	-	30	139	180 100	29,44	146,21 190,79	PHS 32B-1A57 PHS 32B-1C57			
	72	1 019,04	A C	40	-	30	137	180 100	29,44	135,19 117,61		PHS 28B-1A72 PHS 28B-1C72	60	990,65	A C	40	-	30	139	200 110	29,44	164,35 184,25	PHS 32B-1A60 PHS 32B-1C60			
	76	1 075,62	A C	40	-	30	137	180 100	29,44	147,60 127,17		PHS 28B-1A76 PHS 28B-1C76	68	1 099,96	A C	40	-	30	139	200 110	29,44	212,73 220,13	PHS 32B-1A68 PHS 32B-1C68			
	95	1 344,39	A C	40	-	30	137	180 100	29,44	206,53 172,57		PHS 28B-1A95 PHS 28B-1C95	72	1 164,62	A C	40	-	30	139	200 110	29,44	236,91 282,31	PHS 32B-1A72 PHS 32B-1C72			
	50,80	11	180,31	A B	25	-	30	83	120 90	29,44		5,00 9,04	PHS 32B-1A11 PHS 32B-1BH11	90	1 229,28	A C	40	-	30	139	200 110	29,44	261,10 297,99	PHS 32B-1A90 PHS 32B-1C90		
		12	196,28	A B	25	-	30	89	133 90	29,44		6,02 11,11	PHS 32B-1A12 PHS 32B-1BH12													
		13	212,27	A B	25	-	30	102	145 90	29,44		7,12 12,61	PHS 32B-1A13 PHS 32B-1BH13													
		14	228,29	A B	30	-	30	102	145 90	29,44		8,32 14,97	PHS 32B-1A14 PHS 32B-1BH14													
		15	244,33	A B	30	-	30	102	145 90	29,44		9,50 17,32	PHS 32B-1A15 PHS 32B-1BH15													
		16	260,39	A B	30	-	30	103	160 90	29,44		11,64 18,78	PHS 32B-1A16 PHS 32B-1BH16													

Maximum bores can accommodate standard keyways. Larger bores are available where a shallow keyway is used or no keyway is required. All Type B or C sprockets, up to and including 25 tooth, are with hardened teeth as standard. For any additional size sprockets with hardened teeth, add "H" before the number of teeth, e.g. PHS 08B-1AH8.