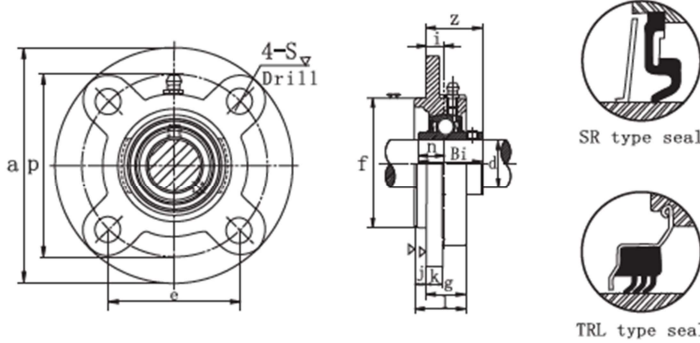


**Flange Cartridge Units**



**UCFC 200**  
normal-duty

Bearing unit	Shaft Dia.	Dimensions(in)or(mm)													Bolt used	Bearing	Housing Weight		
No.	d	a	p	e	i	l	s	j	k	g	f	Z	Bi	n	No.	No.			
	(in.)	(mm)														(mm)	(in.)	(kg)	
UCFC 201	12	3 15/16	3 5/64	2 11/64	25/64	1	15/32	13/64	9/32	13/16	2.4409	1 1/8	1.2205	0.5000	M10	3/8	UC 201	FC 201	0.78
201-8	1/2	100	78	55.1	10	25.5	12	5	7	20.5	62	28.3	31.0	12.7		201-8			
UCFC 202	15	3 15/16	3 7/64	2 11/64	25/64	1	15/32	13/64	9/32	13/16	2.4409	1 1/8	1.2205	0.5000	M10	3/8	UC 202	FC 202	0.78
202-10	5/8	100	78	55.1	10	25.5	12	5	7	20.5	62	28.3	31.0	12.7		202-10			
UCFC 203	17	3 15/16	3 5/64	2 11/64	25/64	1	15/32	13/64	9/32	13/16	2.4409	1 1/8	1.2205	0.5000	M10	3/8	UC 203	FC 203	0.78
203-11	1 1/16	100	78	55.1	10	25.5	12	5	7	20.5	62	28.3	31.0	12.7		203-11			
UCFC 204-12	20	3 15/16	3 7/64	2 11/64	25/64	1	15/32	13/64	9/32	13/16	2.4409	1 1/8	1.2205	0.5000	M10	3/8	UC 204-12	FC 204	0.78
204	3/4	100	78	55.1	10	25.5	12	5	7	20.5	62	28.3	31.0	12.7		204			
UCFC 205-14	25	4 17/32	3 35/64	2 1/2	25/64	1 1/16	15/32	15/64	9/32	53/64	2.7559	5/32	1.3386	0.5630	M10	3/8	UC 205-14	FC 205	0.95
205-15	1 5/16	115	90	63.6	10	27	12	6	7	21	70	29.7	34.0	14.3		205-15			
205																205			
205-16	1															205-16			
UCFC 206-18	30	4 29/32	3 15/16	2 25/32	25/64	7/32	15/32	5/16	5/16	29/32	3.1496	9/32	1.5000	0.6260	M10	3/8	UC 206-18	FC 206	1.4
206	1 1/8	125	100	70.7	10	31	12	8	8	23	80	32.2	38.1	15.9		206			
206-19	1 3/16															206-19			
206-20	1 1/4															206-20			
UCFC 207-20	35	5 5/16	4 21/64	3 1/16	7/16	1 1/32	35/64	5/16	1 1/32	1 1/32	3.5433	1 7/16	1.6890	0.6890	M12	7/16	UC 207-20	FC 207	1.7
207-21	1 3/8	135	110	77.8	11	34	14	8	9	26	90	36.4	42.9	17.5		207-21			
207-22	1 5/8															207-22			
207																207			
207-23	1 7/8															207-23			
UCFC 208-24	40	5 23/32	4 23/32	3 1 1/2	7/16	27/64	35/64	25/64	1 1/32	1 1/32	3.9370	5/8	1.9370	0.7480	M12	7/16	UC 208-24	FC 208	2.0
208-25	1 9/16	145	120	84.8	11	36	14	10	9	26	100	41.2	49.2	19.0		208-25			
208																208			
UCFC 209-26	45	6 5/16	5 13/64	4 43/64	25/64	1/2	5/8	15/32	9/16	1 1/32	4.1339	1 19/32	1.9370	0.7480	M14	1/2	UC 209-26	FC 209	2.8
209-27	1 11/16	160	132	93.3	10	38	16	12	14	26	105	40.2	49.2	19.0		209-27			
209-28	1 3/4															209-28			
209																209			
UCFC 210-30	50	6 1/2	5 7/16	4 27/32	25/64	9/16	5/8	15/32	9/16	3/32	4.3307	1 11/16	2.0315	0.7480	M14	1/2	UC 210-30	FC 210	3.0
210-31	1 9/16	165	138	97.6	10	40	16	12	14	28	110	42.6	51.6	19.0		210-31			
210																210			
UCFC 211-32	55	7 9/32	6 29/32	5 11/64	33/64	1 1/16	3/4	15/32	19/32	7/32	4.9213	1 13/16	2.1890	0.8740	M16	5/8	UC 211-32	FC 211	4.0
211-34	2 1/8	185	150	106.1	13	43	19	12	15	31	125	46.4	55.6	22.2		211-34			
211																211			
211-35	2 3/16															211-35			
UCFC 212-36	60	8 7/16	7 19/64	6 28/64	43/64	7/8	3/4	15/32	19/32	27/64	5.3150	2 7/32	2.5630	1.0000	M16	5/8	UC 212-36	FC 212	4.7
212	2 3/4	195	160	113.1	17	48	19	12	15	36	135	56.7	65.1	25.4		212			
212-38	2 5/8															212-38			
212-39	2 1/2															212-39			
UCFC 213-40	65	8 1/16	7 1/16	6 4 7/64	5/8	3 1/32	3/4	35/64	19/32	1 27/64	5.7087	3 3/16	2.5630	1.0000	M16	5/8	UC 213-40	FC 213	5.4
213	2 1/2	205	170	120.2	16	50	19	14	15	36	145	55.7	65.1	25.4		213			
UCFC 214-44	70	8 15/32	7 31/32	6 58/64	43/64	7/8	3/4	35/64	23/32	1 9/16	5.9055	3 13/32	2.9370	1.1890	M16	5/8	UC 214-44	FC 214	6.8
214	2 3/4	215	177	125.1	17	54	19	14	18	40	150	61.4	74.6	30.2		214			
UCFC 215	75	8 21/32	7 7/4	6 5/8	45/64	2 3/32	3/4	5/8	23/32	1 9/16	6.2992	3 19/32	3.0630	1.3110	M16	5/8	UC 215	FC 215	7.3
215-48	3	220	184	130.1	18	56	19	16	18	40	160	62.5	77.8	33.3		215-48			
UCFC 216	80	9 7/16	8 7/8	7 9/16	45/64	2 29/32	3/4	5/8	23/32	2 1/32	6.6929	3 21/32	3.2520	1.3110	M20	3/4	UC 216	FC 216	8.9
216	2 5/8	240	200	141.4	18	58	23	16	18	42	170	67.3	82.6	33.3		216			
UCFC 217-52	85	9 27/32	8 3/16	7 5/64	45/64	2 15/32	3/4	5/8	29/32	2 1/32	7.0886	3 2/4	3.3740	1.3425	M20	3/4	UC 217-52	FC 217	10.4
217	3 1/4	250	208	147.1	18	63	23	18	20	45	180	69.6	85.7	34.1		217			
UCFC 218-56	90	10 1/16	9 21/32	8 1/8	55/64	2 11/16	3/4	5/8	25/32	3 1/32	7.4803	3 3/32	3.7795	1.5630	M20	3/4	UC 218-56	FC 218	13.0
218	3 1/2	265	220	155.5	22	68	23	18	20	50	190	78.3	96.0	39.7		218			