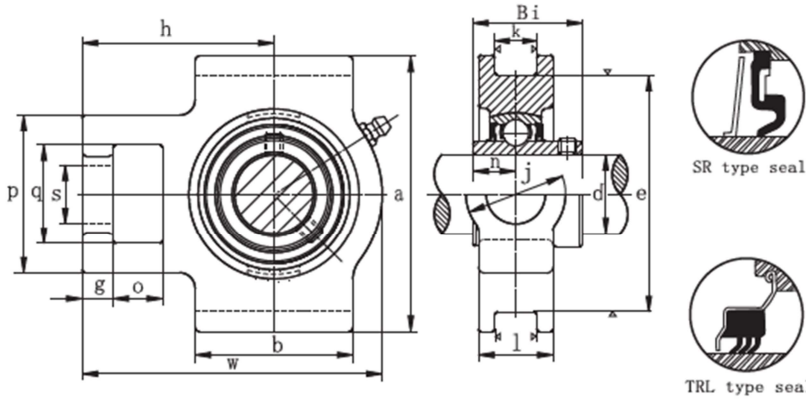


Take-up Units (Normal-duty)

PDF Compressor-Free Version



UCST 200
wide inch slot
UCT 200
narrow metric slot

Bearing unit	Shaft Dia.		Dimensions(in)														Bearing	Housing	Weight
No.	d	o	g	p	q	s	b	k	e	a	w	j	l	h	Bi	n	No.	No.	(kg)
(in.)																			
UCST 204-12	3/4	5/8	13/32	2	1 1/4	3/4	2	17/32	3	3 1/2	3 1/16	1 1/4	15/16	2 13/32	1.220	0.500	UC 204-12	ST 204	0.74
UCST 205-14	7/8	1 1/8	13/32	2	1 1/4	3/4	2	17/32	3	3 1/2	3 13/16	1 1/4	15/16	2 7/16	1.3386	0.563	UC 205-14	ST 205	0.83
UCST 205-15	15/16	1 1/8	13/32	2	1 1/4	3/4	2	17/32	3	3 1/2	3 13/16	1 1/4	15/16	2 7/16	1.3386	0.563	UC 205-15	ST 205	0.83
UCST 205-16	1	1 1/8	13/32	2	1 1/4	3/4	2	17/32	3	3 1/2	3 13/16	1 1/4	15/16	2 7/16	1.3386	0.563	UC 205-16	ST 205	0.83
UCST 206-17	1 1/16	1 1/8	13/32	2 7/32	1 15/32	55/64	2 1/4	17/32	3 1/2	4 1/32	4 7/16	1 3/32	2 3/4	1.500	0.626	UC 206-17	ST 206	1.3	
UCST 206-18	1 1/8	1 1/8	13/32	2 7/32	1 15/32	55/64	2 1/4	17/32	3 1/2	4 1/32	4 7/16	1 3/32	2 3/4	1.500	0.626	UC 206-18	ST 206	1.3	
UCST 206-19	1 3/16	1 1/8	13/32	2 7/32	1 15/32	55/64	2 1/4	17/32	3 1/2	4 1/32	4 7/16	1 3/32	2 3/4	1.500	0.626	UC 206-19	ST 206	1.3	
UCST 206-20	1 1/4	1 1/8	13/32	2 7/32	1 15/32	55/64	2 1/4	17/32	3 1/2	4 1/32	4 7/16	1 3/32	2 3/4	1.500	0.626	UC 206-20	ST 206	1.3	
UCST 207-20	1 1/4	1 1/8	13/32	2 7/32	1 15/32	55/64	2 1/4	17/32	3 1/2	4 1/32	4 7/16	1 3/32	2 3/4	1.500	0.626	UC 207-20	ST 207	1.6	
UCST 207-21	1 5/16	1 1/8	13/32	2 7/32	1 15/32	55/64	2 1/4	17/32	3 1/2	4 1/32	4 7/16	1 3/32	2 3/4	1.689	0.689	UC 207-21	ST 207	1.6	
UCST 207-22	1 3/8	1 1/8	13/32	2 7/32	1 15/32	55/64	2 1/4	17/32	3 1/2	4 1/32	4 7/16	1 3/32	2 3/4	1.689	0.689	UC 207-22	ST 207	1.6	
UCST 207-23	1 7/16	1 1/8	13/32	2 7/32	1 15/32	55/64	2 1/4	17/32	3 1/2	4 1/32	4 7/16	1 3/32	2 3/4	1.689	0.689	UC 207-23	ST 207	1.6	
UCST 208-24	1 1/2	1 1/8	13/32	3 9/32	1 15/16	1 9/64	3 9/32	1 1/16	4 1/64	4 1/2	5 21/32	1 5/16	3 15/32	1.937	0.748	UC 208-24	ST 208	2.4	
UCST 208-25	1 9/16	1 1/8	13/32	3 9/32	1 15/16	1 9/64	3 9/32	1 1/16	4 1/64	4 1/2	5 21/32	1 5/16	3 15/32	1.937	0.748	UC 208-25	ST 208	2.4	
UCST 209-26	1 5/8	1 1/8	13/32	3 9/32	1 15/16	1 9/64	3 9/32	1 1/16	4 1/64	4 19/32	5 21/32	1 5/16	3 7/16	1.937	0.748	UC 209-26	ST 209	2.4	
UCST 209-27	1 11/16	1 1/8	13/32	3 9/32	1 15/16	1 9/64	3 9/32	1 1/16	4 1/64	4 19/32	5 21/32	1 5/16	3 7/16	1.937	0.748	UC 209-27	ST 209	2.4	
UCST 209-28	1 3/4	1 1/8	13/32	3 9/32	1 15/16	1 9/64	3 9/32	1 1/16	4 1/64	4 19/32	5 21/32	1 5/16	3 7/16	1.937	0.748	UC 209-28	ST 209	2.4	
UCST 210-30	1 7/8	1 1/8	13/32	3 9/32	1 15/16	1 9/64	3 9/32	1 1/16	4 1/64	4 19/32	5 7/8	1 5/16	3 17/32	2.031	0.748	UC 210-30	ST 210	2.5	
UCST 210-31	1 15/16	1 1/8	13/32	3 9/32	1 15/16	1 9/64	3 9/32	1 1/16	4 1/64	4 19/32	5 7/8	1 5/16	3 17/32	2.031	0.748	UC 210-31	ST 210	2.5	
UCST 210-32	2	1 1/8	13/32	3 9/32	1 15/16	1 9/64	3 9/32	1 1/16	4 1/64	4 19/32	5 7/8	1 5/16	3 17/32	2.031	0.748	UC 210-32	ST 210	2.5	
UCST 211-32	2	1 1/8	13/32	4 1/32	2 17/32	1 3/8	3 3/4	1 1/16	5 1/8	5 3/4	6 23/32	2 17/32	1 1/2	4 3/16	2.189	0.874	UC 211-32	ST 211	4.0
UCST 211-34	2 1/8	1 1/8	13/32	4 1/32	2 17/32	1 3/8	3 3/4	1 1/16	5 1/8	5 3/4	6 23/32	2 17/32	1 1/2	4 3/16	2.189	0.874	UC 211-34	ST 211	4.0
UCST 211-35	2 3/16	1 1/8	13/32	4 1/32	2 17/32	1 3/8	3 3/4	1 1/16	5 1/8	5 3/4	6 23/32	2 17/32	1 1/2	4 3/16	2.189	0.874	UC 211-35	ST 211	4.0
UCST 212-36	2 1/4	1 1/4	13/32	4 1/32	2 17/32	1 3/8	4 1/32	1 1/16	5 1/8	5 3/4	7 5/8	2 17/32	1 21/32	4 11/16	2.563	1.000	UC 212-36	ST 212	5.0
UCST 212-38	2 3/8	1 1/4	13/32	4 1/32	2 17/32	1 3/8	4 1/32	1 1/16	5 1/8	5 3/4	7 5/8	2 17/32	1 21/32	4 11/16	2.563	1.000	UC 212-38	ST 212	5.0
UCST 212-39	2 7/16	1 1/4	13/32	4 1/32	2 17/32	1 3/8	4 1/32	1 1/16	5 1/8	5 3/4	7 5/8	2 17/32	1 21/32	4 11/16	2.563	1.000	UC 212-39	ST 212	5.0
UCST 213-40	2 1/2	1 1/4	13/32	4 3/8	2 3/4	1 39/64	4 3/4	1 1/16	5 15/16	6 9/16	8 13/16	2 3/4	1 23/32	5 13/32	2.563	1.000	UC 213-40	ST 213	6.9

Bearing unit	Shaft Dia.		Dimensions(mm)														Bearing	Housing	Weight
No.	d	o	g	p	q	s	b	k	e	a	w	j	l	h	Bi	n	No.	No.	(kg)
(mm)																			
UCT 201	12	16	10	51	32	19	51	12	76	89	94	32	21	61	31	12.7	UC 201	T 204	0.79
UCT 202	15	16	10	51	32	19	51	12	76	89	94	32	21	61	31	12.7	UC 202	T 204	0.78
UCT 203	17	16	10	51	32	19	51	12	76	89	94	32	21	61	31	12.7	UC 203	T 204	0.76
UCT 204	20	16	10	51	32	19	51	12	76	89	94	32	21	61	31	12.7	UC 204	T 204	0.74
UCT 205	25	16	10	51	32	19	51	12	76	89	97	32	24	62	34	14.3	UC 205	T 205	0.83
UCT 206	30	16	10	56	37	22	57	12	89	102	113	37	28	70	38.1	15.9	UC 206	T 206	1.3
UCT 207	35	16	13	64	37	22	64	12	89	102	129	37	30	78	42.9	17.5	UC 207	T 207	1.6
UCT 208	40	19	16	83	49	29	83	16	102	114	144	49	33	88	49.2	19	UC 208	T 208	2.4
UCT 209	45	19	16	83	49	29	83	16	102	117	144	49	35	87	49.2	19	UC 209	T 209	2.4
UCT 210	50	19	16	83	49	29	86	16	102	117	149	49	37	90	51.6	19	UC 210	T 210	2.5
UCT 211	55	25	19	102	64	35	95	22	130	146	171	64	38	106	55.6	22.2	UC 211	T 211	4.0
UCT 212	60	32	19	102	64	35	102	22	130	146	194	64	42	119	65.1	25.4	UC 212	T 212	5.0
UCT 213	65	32	21	111	70	41	121	26	151	167	224	70	44	137	65.1	25.4	UC 213	T 213	6.9
UCT 214	70	32	21	111	70	41	121	26	151	167	224	70	46	137	74.6	30.2	UC 214	T 214	7.0
UCT 215	75	32	21	111	70	41	121	26	151	167	232	70	48	140	77.8	33.3	UC 215	T 215	7.4
UCT 216	80	32	21	111	70	41	121	26	165	184	235	70	51	140	82.6	33.3	UC 216	T 216	8.3
UCT 217	85	38	29	124	73	48	157	30	173	198	260	73	54	162	85.7	34.1	UC 217	T 217	11.1
UCT 218	90	40	40	130	80	48	140	30	190	215	275	80	55	170	96.0	39.7	UC 218	T 218	12.2